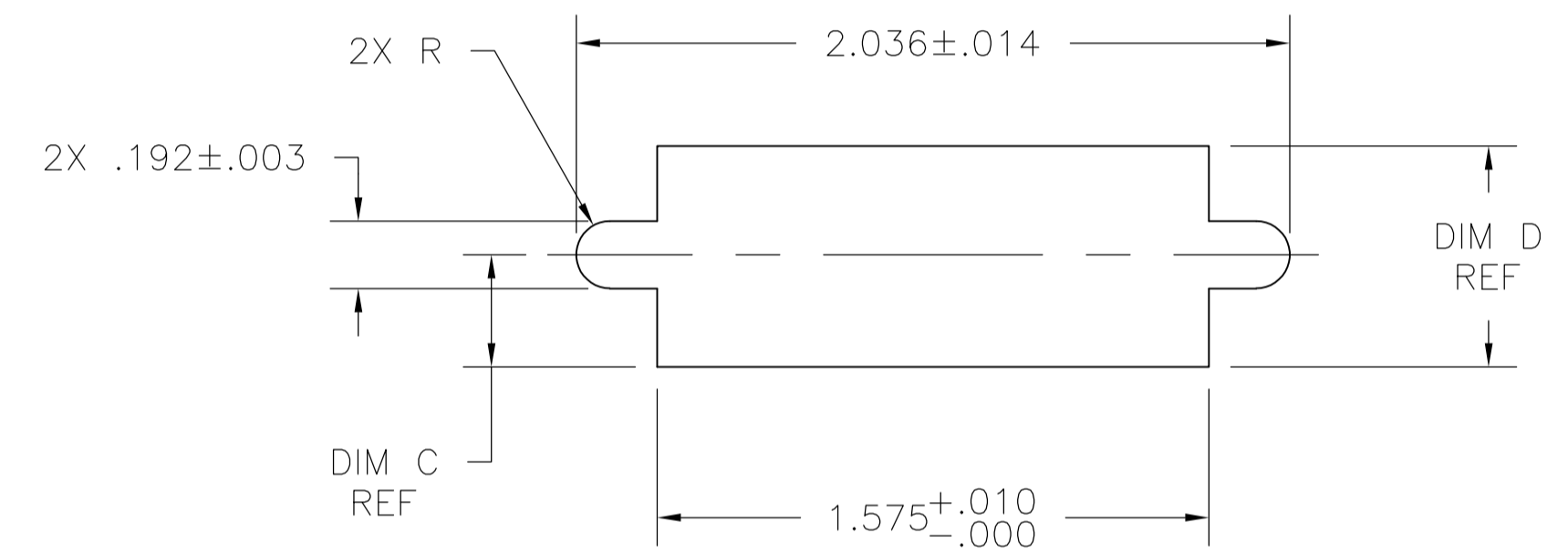
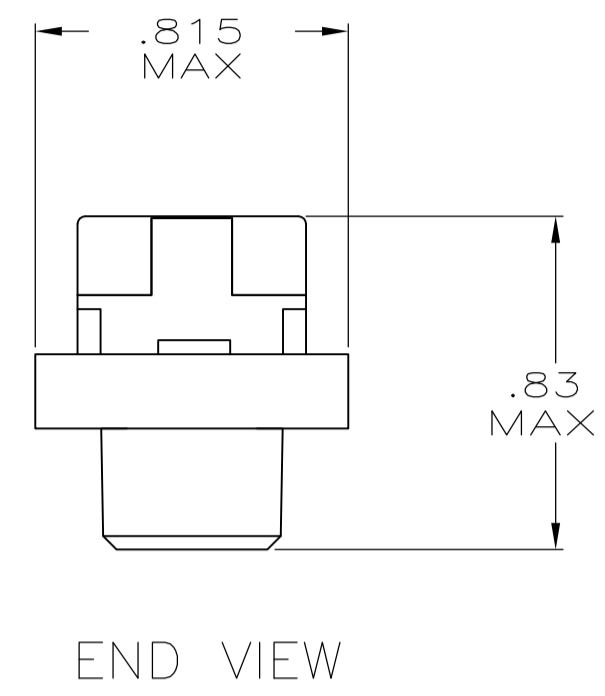
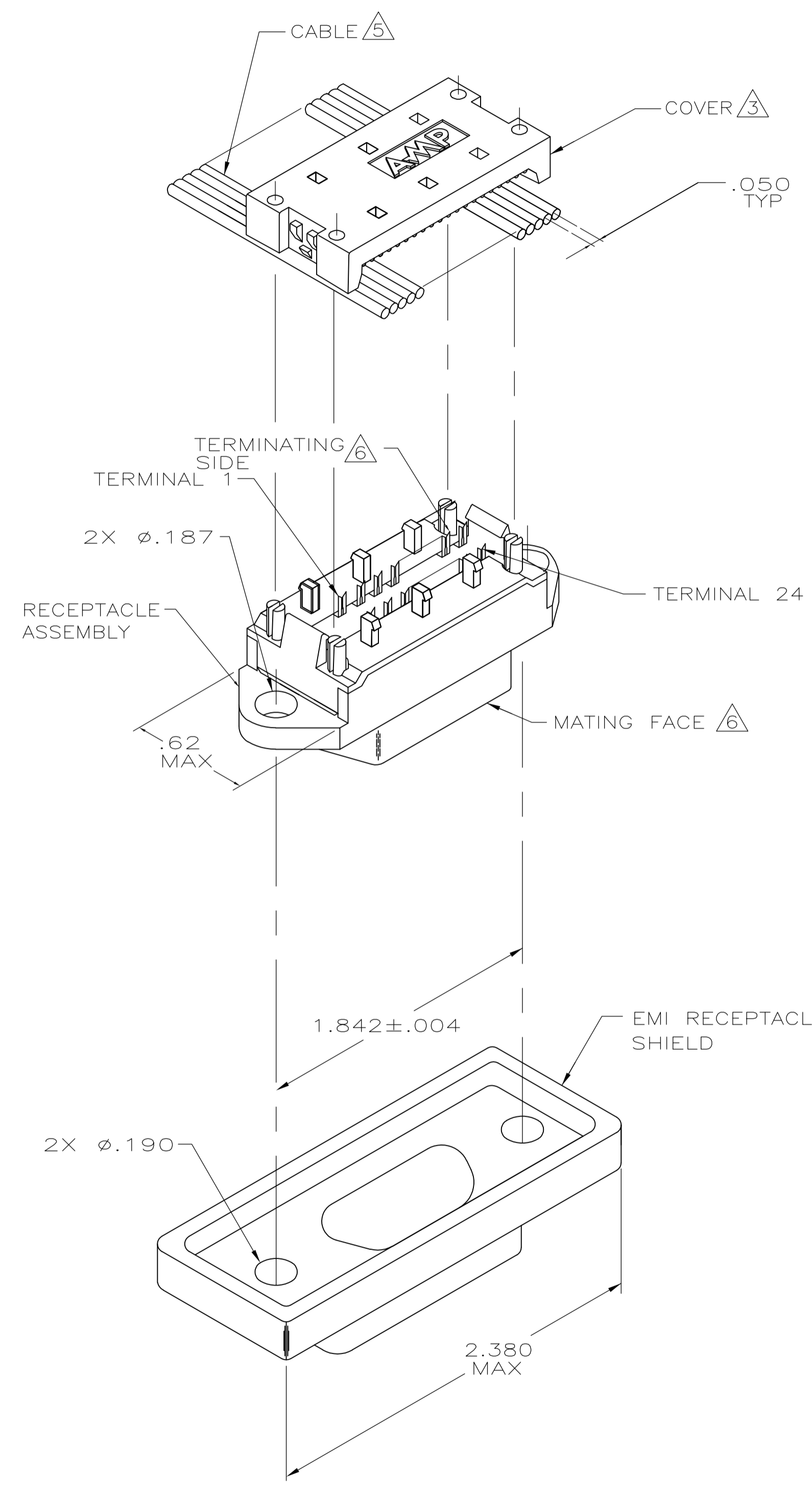
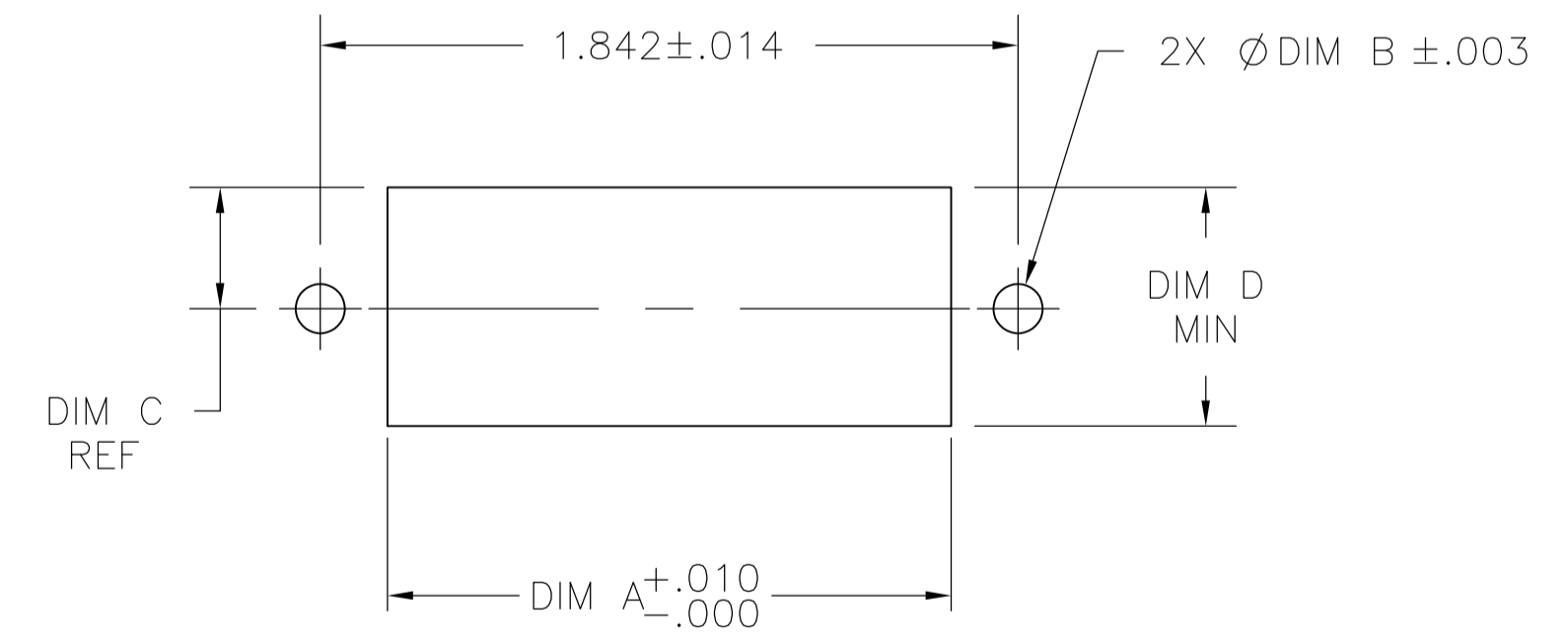


LOC		DIST		REVISIONS			
GP	00	REV	DATE	BY	CHK	APPV	
C		REVISD PER ECO-08-007327	17APR08	BM	WM		



SUGGESTED PANEL CUTOUT FOR METRIC HARDWARE



SUGGESTED PANEL CUTOUT FOR STANDARD HARDWARE

- THE CONTACT SURFACES OF THE TERMINALS ARE COATED WITH LUBRICANT.
- MATERIAL:  
 HOUSING & COVER - POLYPHENYLENE OXIDE (BLACK).  
 TERMINALS - PHOS BRONZE PLATED WITH EITHER .000030 MINIMUM GOLD PLATE OR GOLD FLASH OVER PALLADIUM NICKEL PLATE, .000030 MIN TOTAL ON MATING SURFACE. GOLD FLASH PLATED ON TERMINATING SIDE. .000050 MINIMUM NICKEL UNDERPLATE OVER ENTIRE TERMINAL.  
 EMI SHIELD: NICKEL PLATED DIE CASTING.
- COVER SHOWN LOOSE BUT SHIPPED ASSEMBLED.
- WIRE RANGE: 26 AWG SOLID THRU 30 AWG SOLID AND 28 AWG STRANDED RIBBON CABLE.
- FLAT CABLE SHALL BE FURNISHED BY CUSTOMER.
- MATING FACE CONSISTS OF TWO ROWS OF TERMINALS ON .085 CENTERS. TERMINATING SIDE CONSISTS OF TERMINALS ON .100 CENTERS FOR AN EFFECTIVE .050 TERMINATION.
- PANEL THICKNESS RANGE:  
 METRIC HARDWARE KIT:  
 INSIDE MOUNTING: .093 MAX.  
 OUTSIDE MOUNTING: .125 MAX.  
 STANDARD HARDWARE KIT:  
 INSIDE MOUNTING: .062 MAX.  
 OUTSIDE MOUNTING: .125 MAX.
- EMI SHIELD SHIPPED LOOSE.
- FOR MORE INFORMATION REFER TO AMP PRODUCT SPECIFICATION 108-6076 & APPLICATION SPEC 114-6030.

DIM D	DIM C	DIM B	DIM A	DESCRIPTION	PART NUMBER
.620	.310	.149	1.575	REAR PANEL MOUNTING	5554349-1
.640	.320	.126	1.488	FRONT PANEL MOUNTING	

THIS DRAWING IS A CONTROLLED DOCUMENT.

DIMENSIONS: INCHES	TOLERANCES UNLESS OTHERWISE SPECIFIED:	DIN B1 MCMMASTER 16JAN06	APVD W. MILLHIMES 16JAN06	NAME	RESTRICTED TO
0. PLC ± -	1. PLC ± -	2. PLC ± -	3. PLC ± .005	4. PLC ± -	ANGLES ± -
MATERIAL		FINISH		SIZE	SCALE
MATERIAL		FINISH		SIZE	SCALE
MATERIAL		FINISH		SIZE	SCALE

Tyco Electronics Corporation  
 Harrisburg, PA 17105-3608

EMI RECEPTACLE ASSEMBLY, 24 POSITION, LOW PROFILE, SHIELDED, CHAMP LATCH

108-6076

114-6030

100779

5554349

CUSTOMER DRAWING

SCALE 2:1 SHEET 1 OF 1 REV C